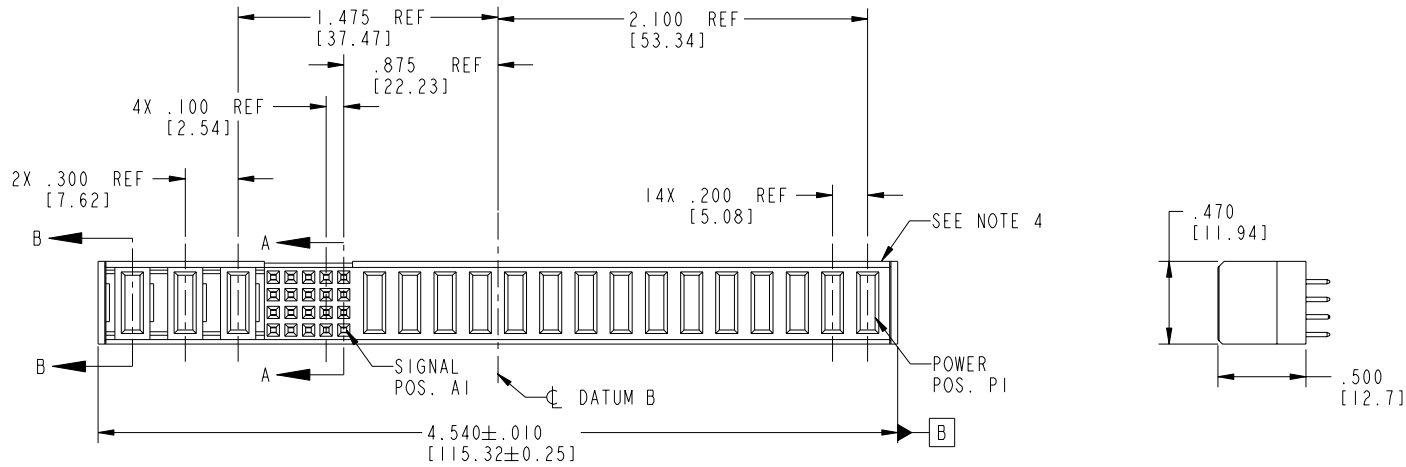


Tous droits strictement réservés. Reproduction ou communication a des tiers interdite sous quelque forme que ce soit sans autorisation écrite du propriétaire. Propriété de c FCI. Droits de reproduction FCI.

All rights strictly reserved. Reproduction or issue to third parties in any form whatever is not permitted without written authority from the proprietor. Property of FCI. Copyright FCI.

PRODUCT NO.	ROWS	POWER			SIGNAL					POWER													
		P18	P17	P16	5	4	3	2	1	P15	P14	P13	P12	P11	P10	P9	P8	P7	P6	P5	P4	P3	P2
51940-077-- NOTE:3	D C B A	PD	PD	PA	E	E	E	E	E	PD	PD	PD	PD	PD	PD	PD	PD	PD	PD	PD	PD	PD	PD



CODE	DIM "M" MATING LENGTH	CONTACT TYPE
E	N/A [N/A]	SIGNAL
PA	.042 [1.07]	POWER
PD	.092 [2.34]	POWER

mat'l code				SEE NOTE 2		tolerances unless otherwise specified		CUSTOMER		 www.fciconnect.com	
ltr	ecn no.	dr	date	linear	.XX±.01/0.X±0.3	projection		COPY		title	
A	V04-0182	TAB	02/23/04		.XXX±.005/0.XX±0.13					15P + 20S + 3P	
B	DG05-0490	CS	11/23/05	angles	.XXX±.002/0.XX±0.051			INCH/MM		VERTICAL SOLDER RECEPT	
				dr	T. BRUNGARD 02/23/04	scale		1:1		product family	
				enr	M. GRAY 02/23/04					PwrBlade	
				chr	M. GRAY 02/23/04					code	
				appd	M. GRAY 02/23/04					213	
sheet index	revision	B	B	B	B					sheet	
	sheet	1	2	3	4					1 of 4	

cage code 22526 4

PDM: Rev:B

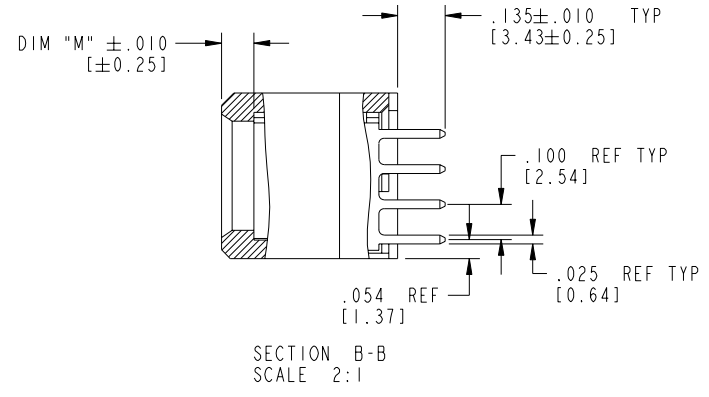
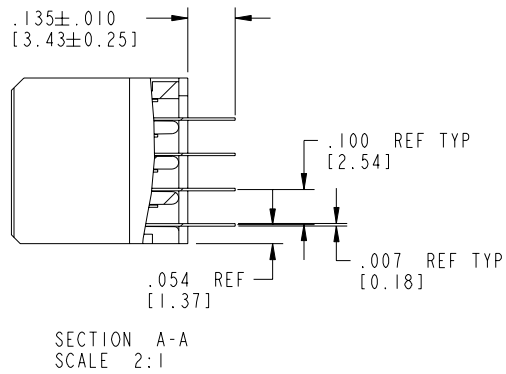
STATUS:Released

Printed: Aug 14, 2007

Tous droits strictement réservés. Reproduction ou communication a des tiers interdite sous quelque forme que ce soit sans autorisation écrite du propriétaire. Propriété de c FCI. Droits de reproduction FCI.

All rights strictly reserved. Reproduction or issue to third parties in any form whatever is not permitted without written authority from the proprietor. Property of FCI. Copyright FCI.

PRODUCT NUMBER  
51940-077\_\_  
NOTE: 3



mat'l code		SEE NOTE 2		tolerances unless otherwise specified		CUSTOMER		 www.fciconnect.com	
ltr	ecn no.	dr	date	linear	.XX±.01/0.X±0.3	COPY		projection	title
B					.XXX±.005/0.XX±0.13				15P + 20S + 3P VERTICAL SOLDER RECEPT
				angles	.XXX±.0020/0.XXX±0.051	INCH/MM		product family	code
				dr	0°±2°	scale		PwrBlade	213
				enr	T. BRUNGARD 02/23/04	1:1		size	2 of 4
				chr	M. GRAY 02/23/04			dwg no	
				appd	M. GRAY 02/23/04			A	51940-077
sheet index	revision sheet								

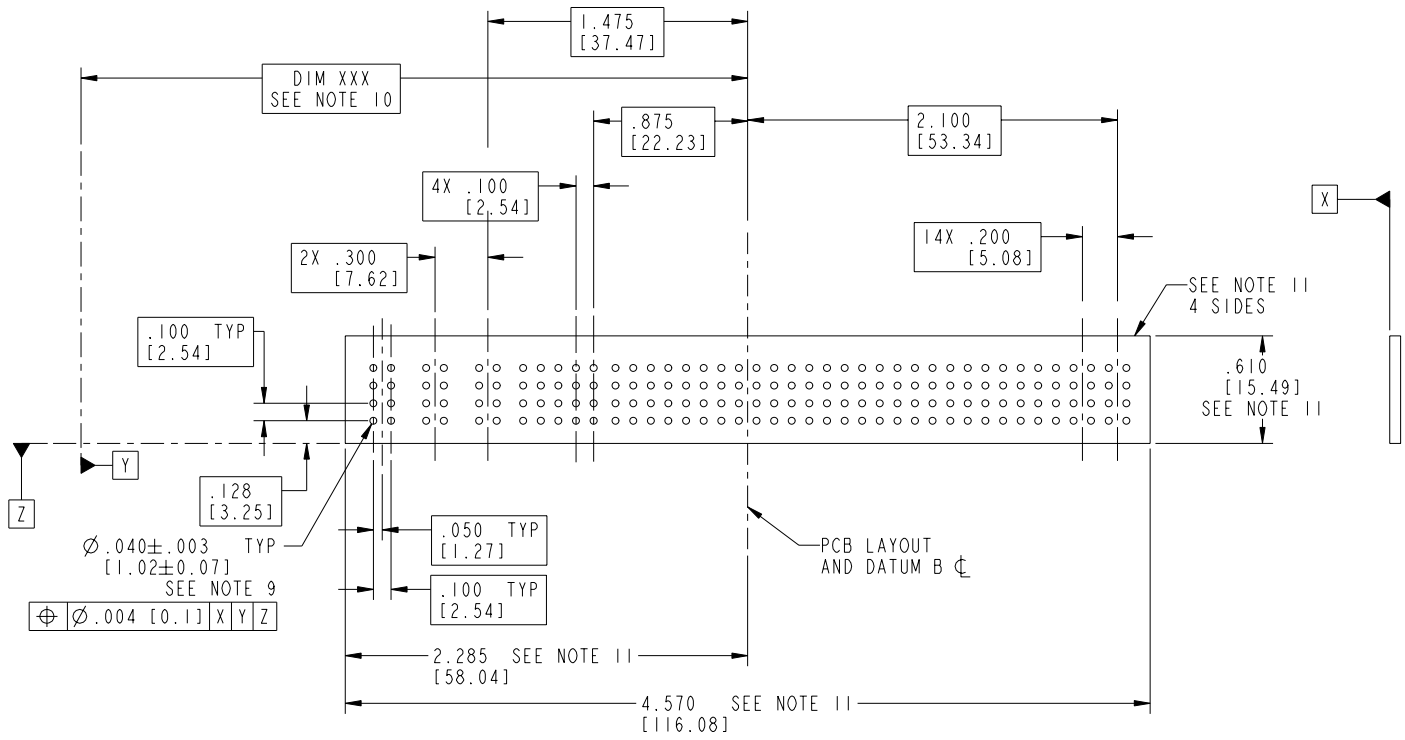
cage code 22526

Pro/E

Tous droits strictement réservés. Reproduction ou communication a des tiers interdite sous quelque forme que ce soit sans autorisation écrite du propriétaire. Propriété de c FCI. Droits de reproduction FCI.

All rights strictly reserved. Reproduction or issue to third parties in any form whatever is not permitted without written authority from the proprietor. Property of FCI. Copyright FCI.

PRODUCT NUMBER  
51940-077\_\_  
NOTE: 3



mat'l code		SEE NOTE 2		tolerances unless otherwise specified		CUSTOMER		 www.fciconnect.com	
ltr	ecn no.	dr	date	linear	.XX±.01/0.X±0.3	COPY		title	
B				linear	.XXX±.005/0.XX±0.13	projection		15P + 20S + 3P	
				angles	.XXX±.0020/0.XXX±0.051			VERTICAL SOLDER RECEPT	
				dr	T. BRUNGARD 02/23/04	INCH/MM		product family	
				enr	M. GRAY 02/23/04	scale		PwrBlade	
				chr	M. GRAY 02/23/04	1:1		code	
				appd	M. GRAY 02/23/04			213	
sheet index	revision sheet							sheet	
								3 of 4	

cage code 22526 4

Tous droits strictement réservés. Reproduction ou communication à des tiers interdite sous quelque forme que ce soit sans autorisation écrite du propriétaire. Propriété de c FCI. Droits de reproduction FCI.

**A**  
**FCI**

All rights strictly reserved. Reproduction or issue to third parties in any form whatever is not permitted without written authority from the proprietor. Property of FCI. Copyright FCI.

A

B

1 | 2

3 |

4

PRODUCT NUMBER

51940-077\_--  
NOTE: 3

NOTES:

1. DIMENSIONS AND TOLERANCES ARE IN ACCORDANCE WITH ASME Y14.5M, 1994 UNLESS OTHERWISE SPECIFIED.

CONNECTOR NOTES:

② HOUSING MATERIAL: UL 94 V-0 GLASS FILLED  
HIGH-TEMP THERMOPLASTIC  
POWER CONTACT MATERIAL: COPPER ALLOY  
SIGNAL PIN MATERIAL: COPPER ALLOY

3. PLATING:  
51940-077 Singal Pin:30u"/0.76um Au OVER 50u"/1.27um Ni ON THE CONTACT AREA  
AND 100u"/2.54um SnPb PLATING OVER 50u"/1.27um Ni ON THE TERMINATION SECTION.  
Power Pin:30u"/0.76um Au OVER 50u"/1.27um Ni ON THE CONTACT AREA,  
AND 100u"/2.54um SnPb PLATING OVER 50u"/1.27um Ni ON THE TERMINATION SECTION.

51940-077LF Singal Pin:30u"/0.76um Au OVER 50u"/1.27um Ni ON THE CONTACT AREA  
AND 78u"/2.00um Sn PLATING OVER 50u"/1.27um Ni ON THE TERMINATION SECTION.  
Power Pin:30u"/0.76um Au OVER 50u"/1.27um Ni ON THE CONTACT AREA,  
AND 78u"/2.00um Sn PLATING OVER 50u"/1.27um Ni ON THE TERMINATION SECTION.

PART NUMBER 51940-077LF MEETS EUROPEAN UNION DIRECTIVE AND OTHER COUNTRY REGULATIONS AS DESCRIBED IN GS-22-008.

THE HOUSING WILL WITHSTAND EXPOSURE TO 260° PEAK TEMPERATURE FOR 10 SECONDS IN A WAVE SOLDER APPLICATION WITH A CIRCUIT BOARD.

④ MANUFACTURER'S NAME, P/N, AND DATE CODE TO APPEAR ON THIS SURFACE.

5. PRODUCT SPECIFICATION GS-12-149.  
APPLICATION SPECIFICATION BUS-20-067.

6. PACKAGED IN TRAYS.

PCB NOTES:

7. ALL HOLE DIAMETERS ARE FINISHED HOLE SIZE.

⑧ MOUNTING HOLES, WHERE APPLICABLE, ARE UNPLATED.

⑨  $\varnothing .0453 \pm .0010$  [1.151 ± 0.025] DRILLED HOLES PLATED WITH  
.0003 [0.008] MIN SnPb OVER .001 [0.03]  
TO .003 [0.08] Cu PLATING TO ACHIEVE  
 $\varnothing .040 \pm .003$  [1.02 ± .07] HOLE.

⑩ "DIM XXX" TO BE DETERMINED BY THE CUSTOMER.

⑪ CONNECTOR KEEP-OUT ZONE.

mat'l code		SEE NOTE 2		tolerances unless otherwise specified		CUSTOMER		<b>A</b> <b>FCI</b>		www.fciconnect.com	
ltr	ecn no.	dr	date	linear	.XX±.01/0.X±0.3	COPY		projection	title 15P + 20S + 3P		
B					.XXX±.005/0.XX±0.13				VERTICAL SOLDER RECEPT		
				angles	XXXX±.0020/0.XXX±0.051				product family PwrBlade		code
				dr	0° ± 2°	INCH/MM			size		213
				enr	T. BRUNGARD 02/23/04	scale		A	51940-077		sheet
				chr	M. GRAY 02/23/04	1:1					4 of 4
				appd	M. GRAY 02/23/04						
sheet index	revision sheet										

A

B

1 | 2

Pro/E

3 |

cage code 22526

4

PDM: Rev:B

STATUS:Released

Printed: Aug 14, 2007